

Product data sheet

Characteristics

TM171OD14R

Modicon M171 Optimized Display 14 I/Os, 100-240Vac



Product availability: Non-Stock - Not normally stocked in distribution facility

Price*: 158.00 USD



Main

| | |
|------------------------------|---------------------------|
| Range of product | Modicon M171/M172 |
| Product or Component Type | Controller |
| Product Specific Application | HVAC and pumping solution |
| Variant | Programmable |
| Number of inputs/outputs | 14 |
| Discrete input number | 2 |

Complementary

| | |
|----------------|-----------------------|
| Contacts usage | Volt-free contacts |
| Width | 2.76 In (70.2 mm) |
| Height | 3.43 In (87 mm) |
| Depth | 2.43 In (61.6 mm) |
| Product Weight | 0.42 Lb(US) (0.19 kg) |

Ordering and shipping details

| | |
|-----------------------|--------------------------------------|
| Category | 22537 - M171 / M172 HVAC CONTROLLERS |
| Discount Schedule | PC12 |
| GTIN | 3606480752759 |
| Nbr. of units in pkg. | 1 |
| Package weight(Lbs) | 10.23 Oz (290 g) |
| Returnability | No |
| Country of origin | IT |

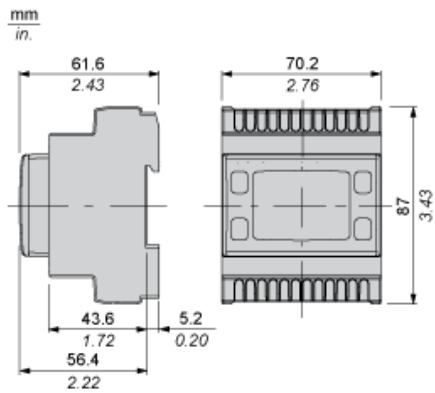
Packing Units

| | |
|------------------------------|------------------------|
| Unit Type of Package 1 | PCE |
| Package 1 Height | 3.54 In (9 cm) |
| Package 1 width | 5.12 In (13 cm) |
| Package 1 Length | 7.28 In (18.5 cm) |
| Unit Type of Package 2 | S02 |
| Number of Units in Package 2 | 6 |
| Package 2 Weight | 4.42 Lb(US) (2.004 kg) |
| Package 2 Height | 5.91 In (15 cm) |
| Package 2 width | 11.81 In (30 cm) |
| Package 2 Length | 15.75 In (40 cm) |

Offer Sustainability

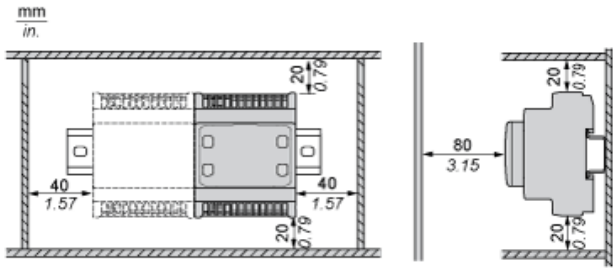
| | |
|----------------------------|---|
| Sustainable offer status | Green Premium product |
| California proposition 65 | WARNING: This product can expose you to chemicals including: Lead and lead compounds, which is known to the State of California to cause cancer and birth defects or other reproductive harm. For more information go to www.P65Warnings.ca.gov |
| REACH Regulation | REACH Declaration |
| REACH free of SVHC | Yes |
| EU RoHS Directive | Pro-active compliance (Product out of EU RoHS legal scope) EU RoHS Declaration |
| Mercury free | Yes |
| RoHS exemption information | Yes |
| China RoHS Regulation | China RoHS Declaration |
| Environmental Disclosure | Product Environmental Profile |
| Circularity Profile | End Of Life Information |
| WEEE | The product must be disposed on European Union markets following specific waste collection and never end up in rubbish bins. |

Dimensions

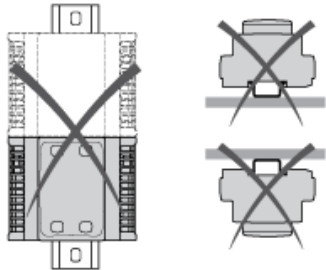


Mounting and Clearance

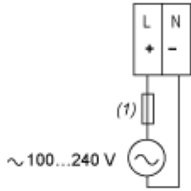
Clearance



Misplacement

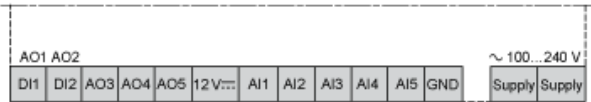
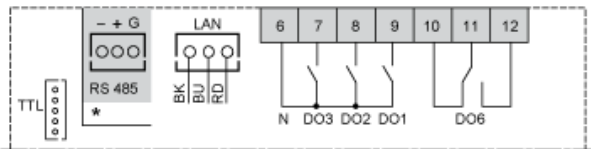


Power Supply



(1) Type T fuse 160 mA

Wiring Diagram



- N : Neutral
- GND Ground
- BK : Black
- BU : Blue
- RD : Red
- AI : Analogue input
- AO : Analogue output
- DI : Digital input
- DO : Digital output

Product Life Status : **Commercialised**